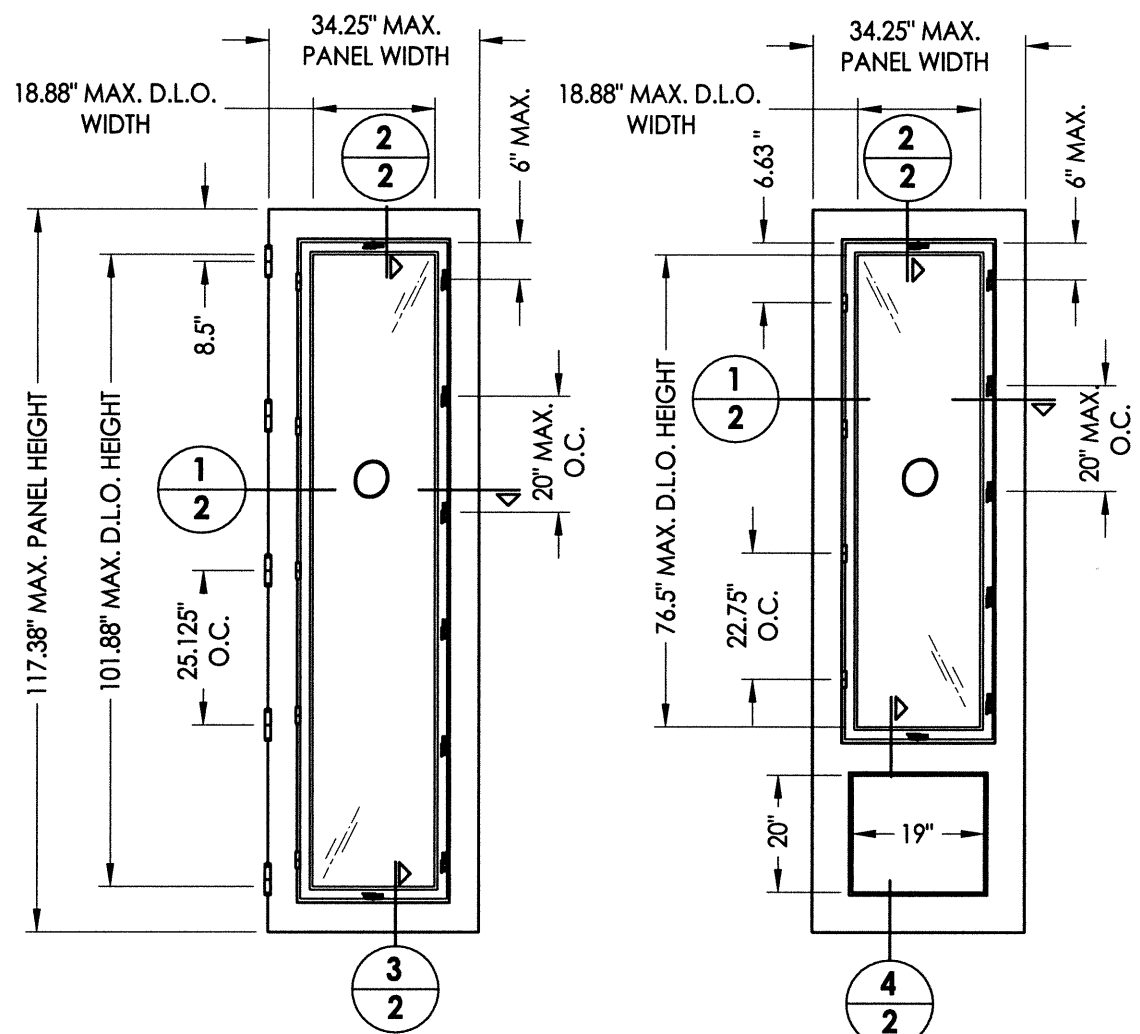
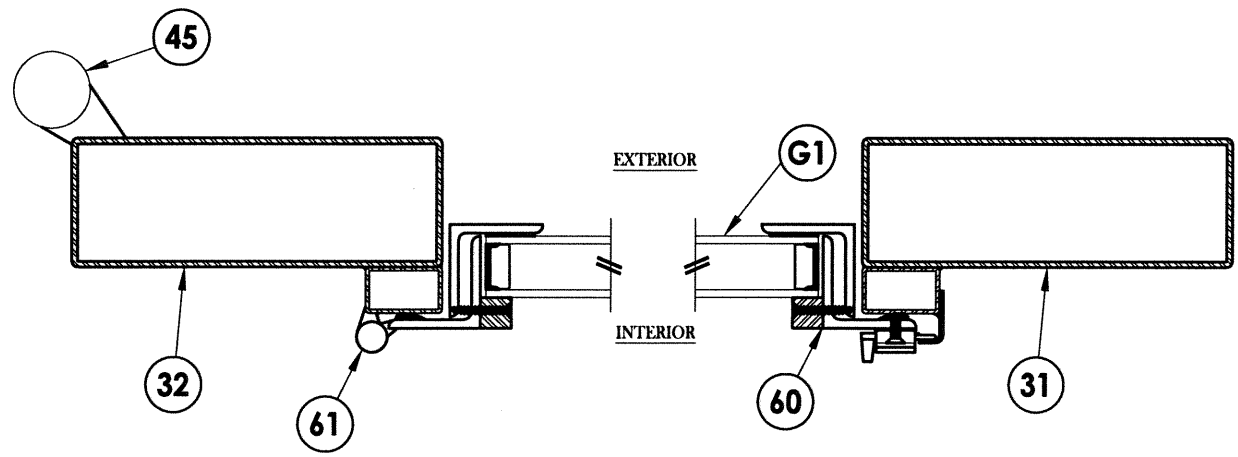


R:\A - Projects\Project Folders\Proj 1701 - 1800\VP 1733\DWG Drawings\FL-16663.1-3.dwg, 3.2

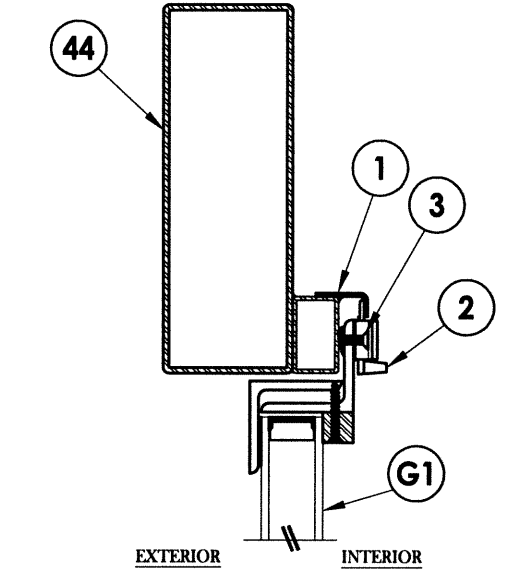


30 DOOR PANEL
w/ Operable Sash

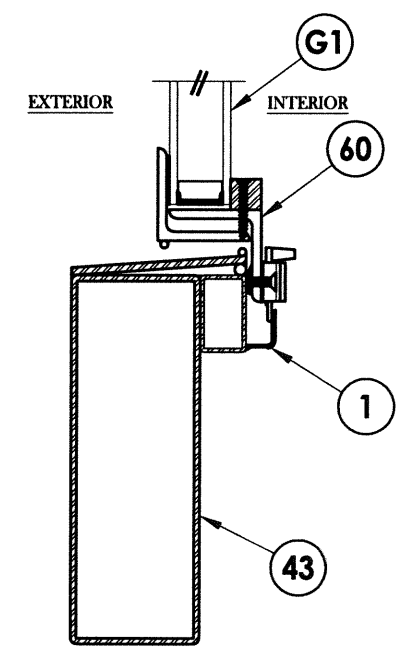
40 3/4 LITE DOOR PANEL
w/ Operable Sash



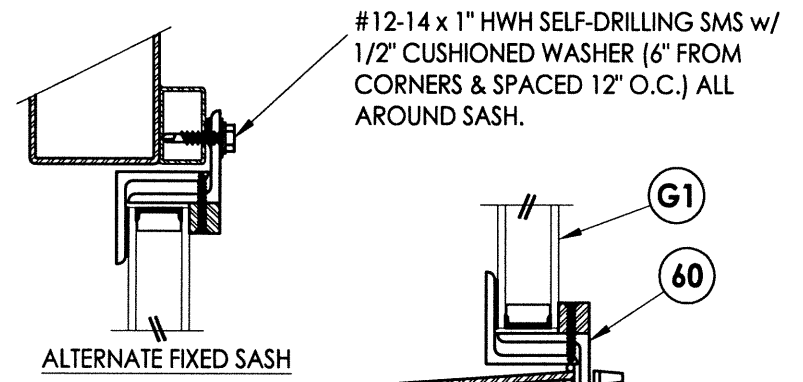
1 HORIZONTAL CROSS SECTION



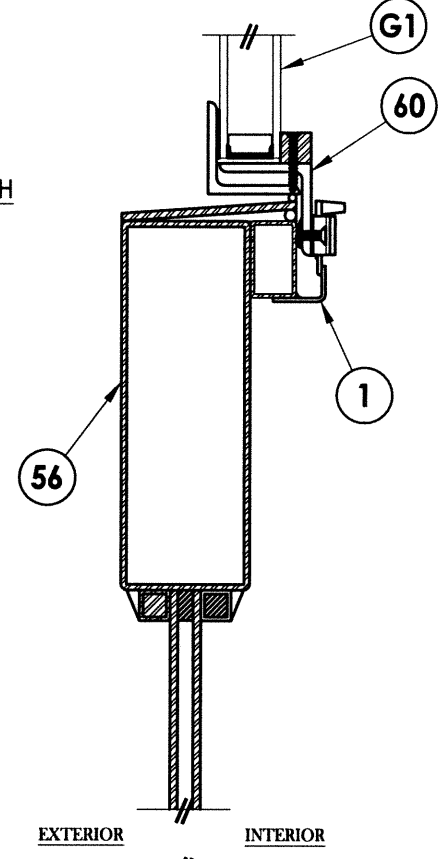
2 VERTICAL CROSS SECTION



3 VERTICAL CROSS SECTION



ALTERNATE FIXED SASH



4 VERTICAL CROSS SECTION

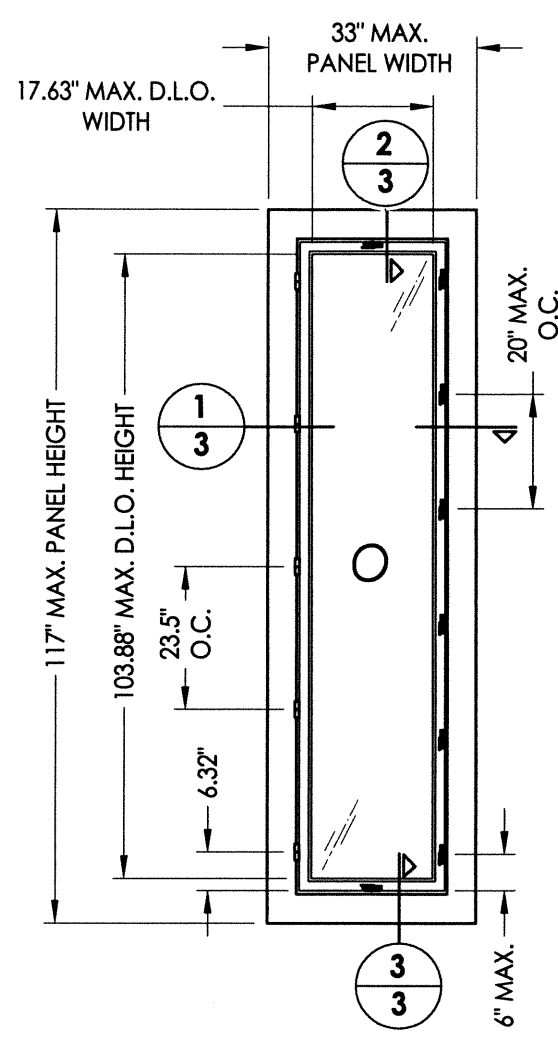
Documents Prepared By:
RW BUILDING CONSULTANTS, INC.
 P.O. Box 230 Valrico FL 33595
 Phone No.: 813.659.9197
 Florida Board of Professional Engineers
 Certificate Of Authorization No. 9813
LF 12.30.13
 Lyndon F. Schmidt, P.E. No. 43409

PRODUCT: CLARK HALL IRON DOORS
 PART OR ASSEMBLY: DOOR PANEL DETAILS

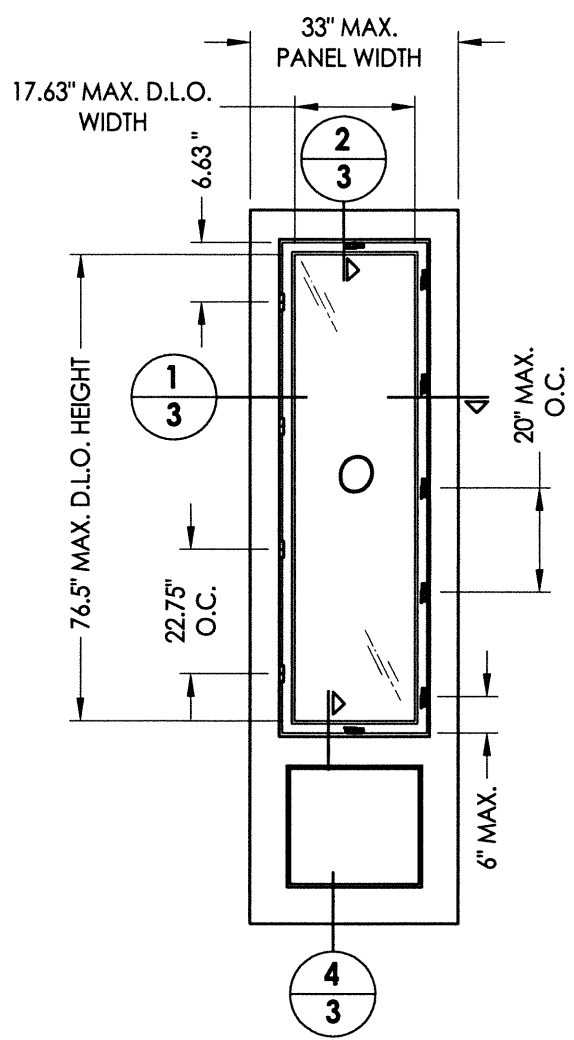
NO.	DATE	BY

DATE: 11/8/13
 SCALE: N.T.S.
 DWG. BY: JK
 CHK. BY: LFS
 DRAWING NO.: FL-16663.3
 SHEET 2 OF 12

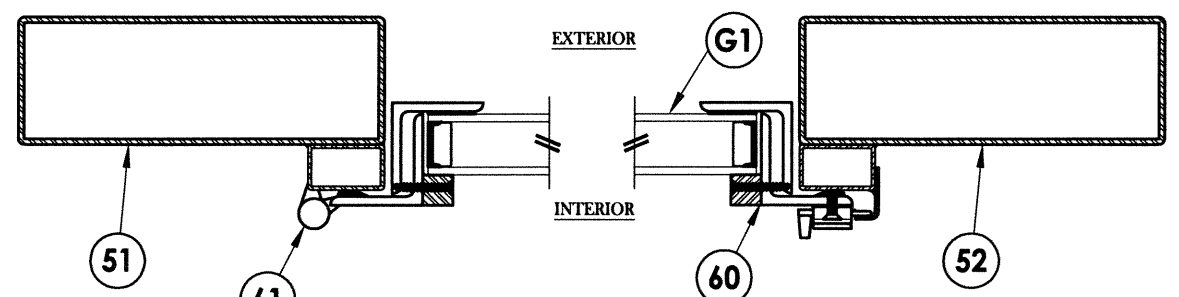
R:\A - Projects\Project Folders\Proj 1701 - 1800\PF 1733\D. RWBC Drawings\FL-16663.1-3.dwg, 3.3



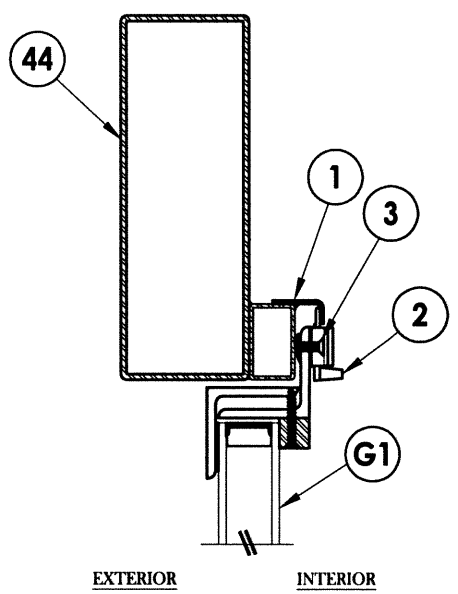
50 SIDELITE PANEL
w/ Operable Sash



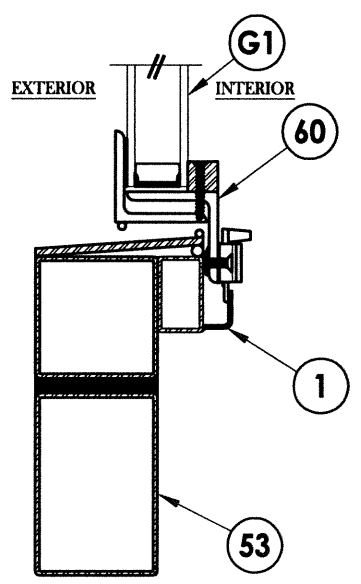
55 3/4 SIDELITE PANEL
w/ Operable Sash & Fixed Panel



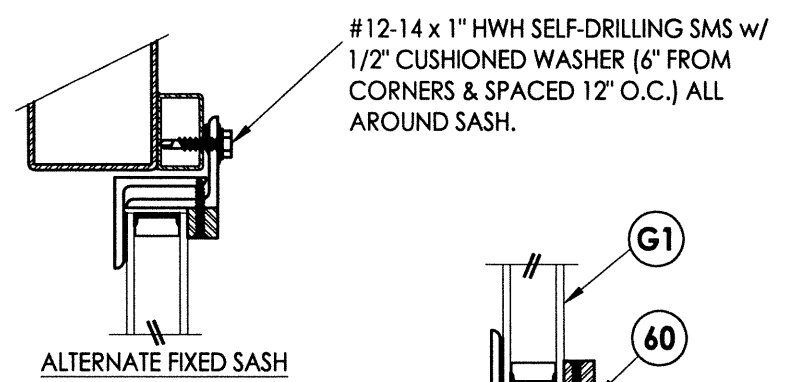
1 HORIZONTAL CROSS SECTION



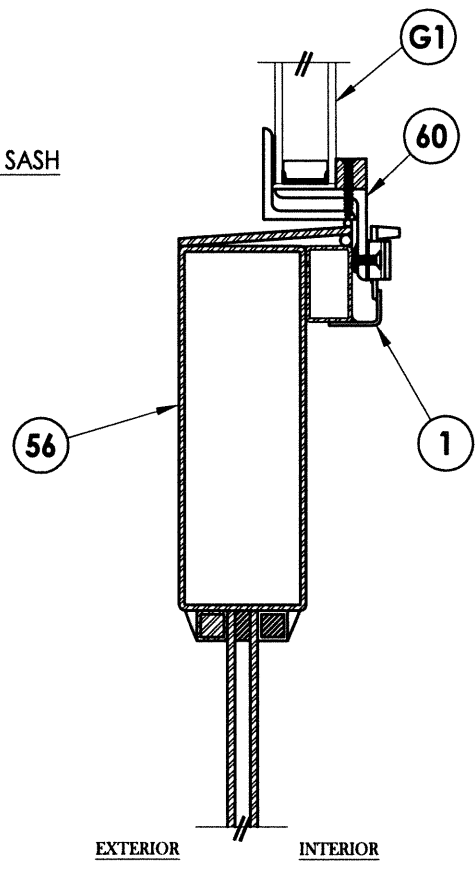
2 VERTICAL CROSS SECTION



3 VERTICAL CROSS SECTION

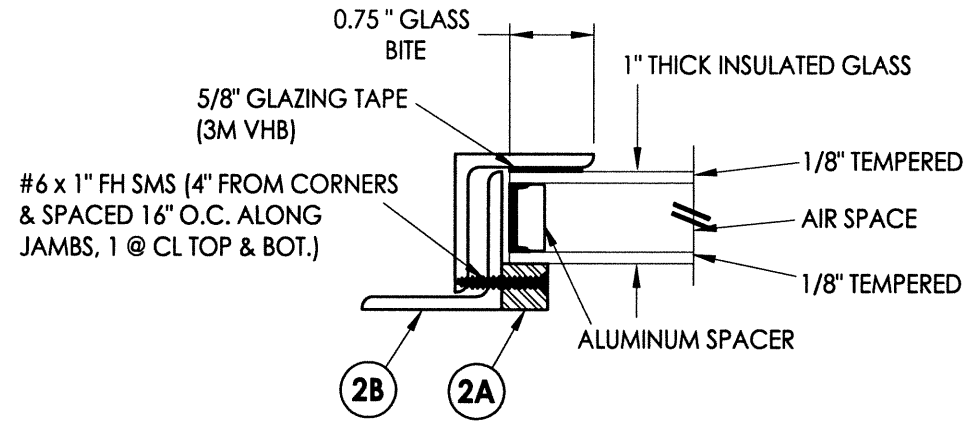


ALTERNATE FIXED SASH

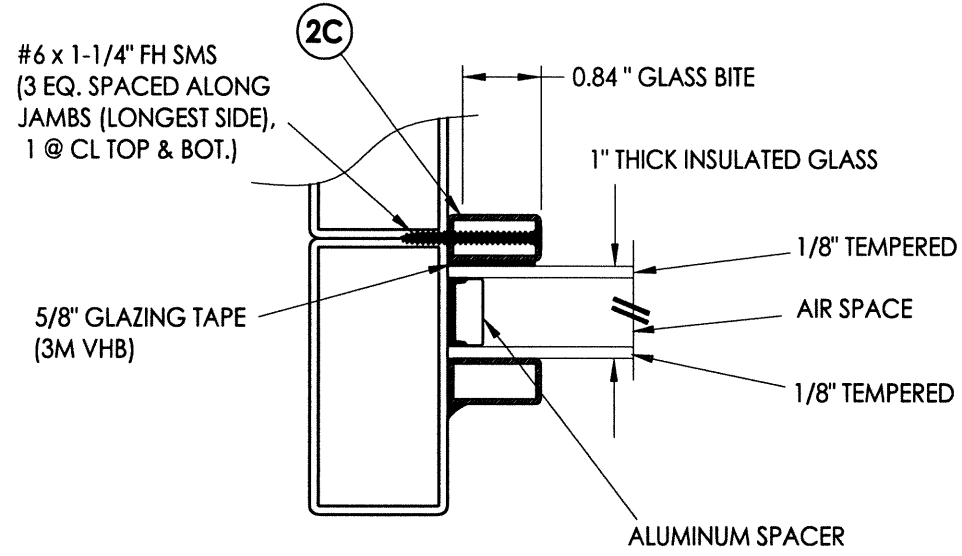


4 VERTICAL CROSS SECTION

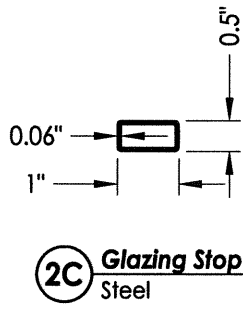
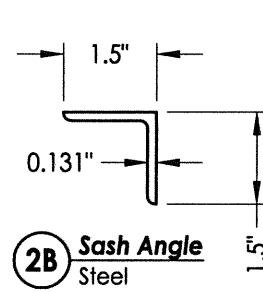
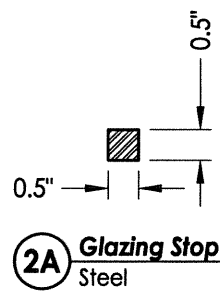
Documents Prepared By: RW BUILDING CONSULTANTS, INC. P.O. Box 230 Valrico FL 33595 Phone No.: 813.659.9197	
Florida Board of Professional Engineers Certificate of Authorization No. 9813 <i>1701 12.30.13</i> Lyndon F. Schmidt, P.E. No. 43409	
PRODUCT: CLARK HALL IRON DOORS	PART OR ASSEMBLY: SIDELITE PANEL DETAILS
NO. DATE	BY
REVISIONS	
DATE: 11/8/13	SCALE: N.T.S.
DWG. BY: JK	CHK. BY: LFS
DRAWING NO.: FL-16663.3	
SHEET 3 OF 12	



G1 GLAZING DETAIL
Operable Door/Sidelite



G1 GLAZING DETAIL
Fixed Sidelite/Transom



DATE:	11/8/13
SCALE:	N.T.S.
DWG. BY:	JK
CHK. BY:	LFS
DRAWING NO.:	FL-16663.3
SHEET	4 OF 12

PRODUCT:
CLARK HALL IRON DOORS

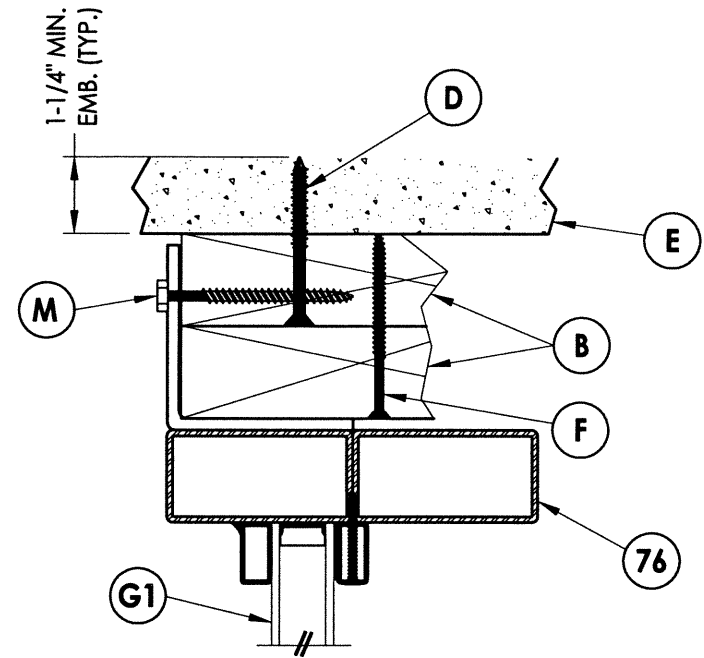
PART OR ASSEMBLY:
GLAZING DETAILS

Documents Prepared By:

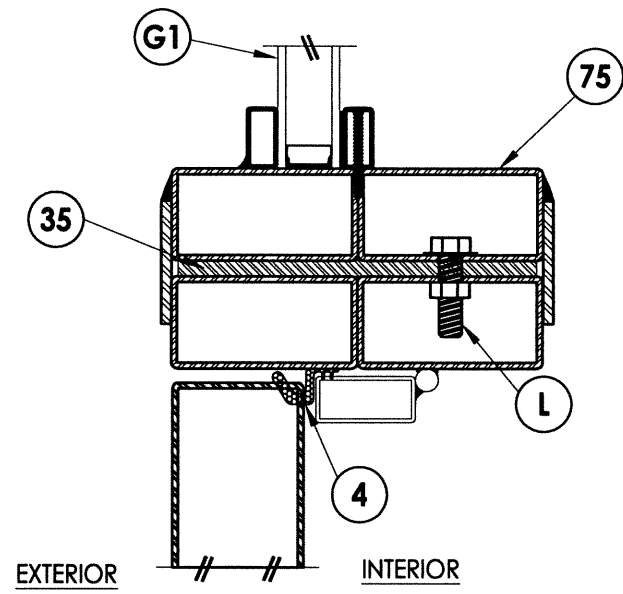
RW BUILDING CONSULTANTS, INC.
P.O. Box 230 Valrico FL 33595
Phone No.: 813.659.9197
Florida Board of Professional Engineers
Certificate Of Authorization No. 9813
12-30-13
Lyndon F. Schmidt, P.E. No. 43409

REVISIONS

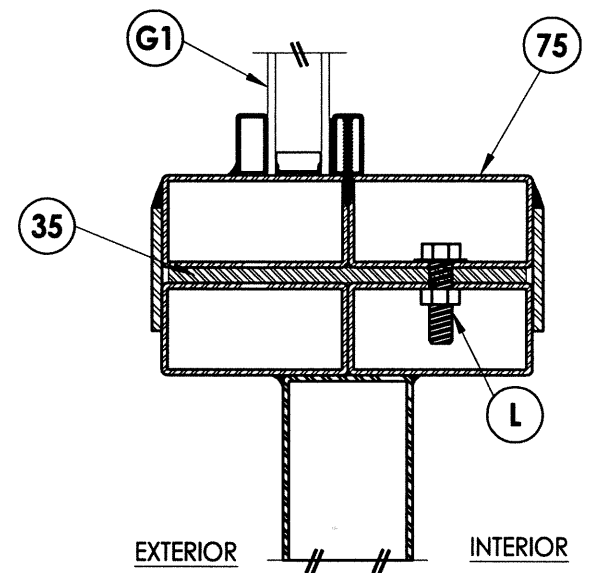
R:\A - Projects\Project Folders\Proj 1701 - 1800\PF 1733\D. RWBC Drawings\FL-16663.1-3.dwg, 3.7



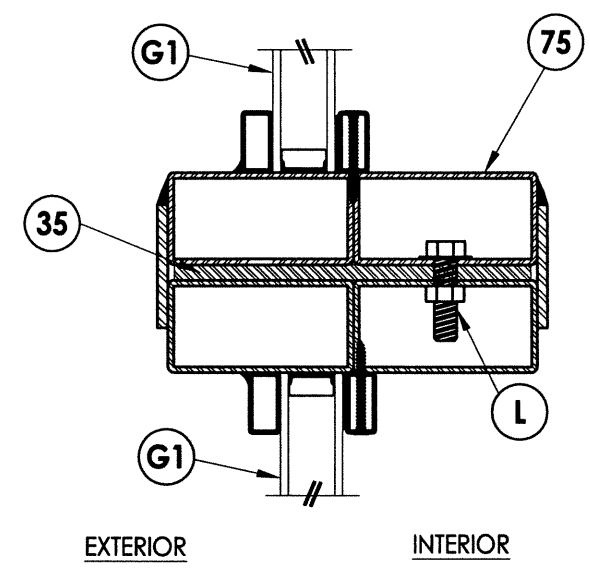
1
7 **VERTICAL CROSS SECTION**
Outswing Shown (Inswing Similar)



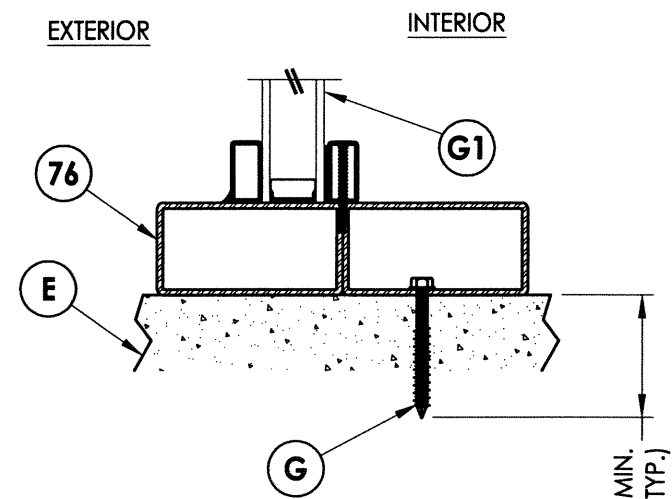
2
7 **VERTICAL CROSS SECTION**
Outswing Shown (Inswing Similar)



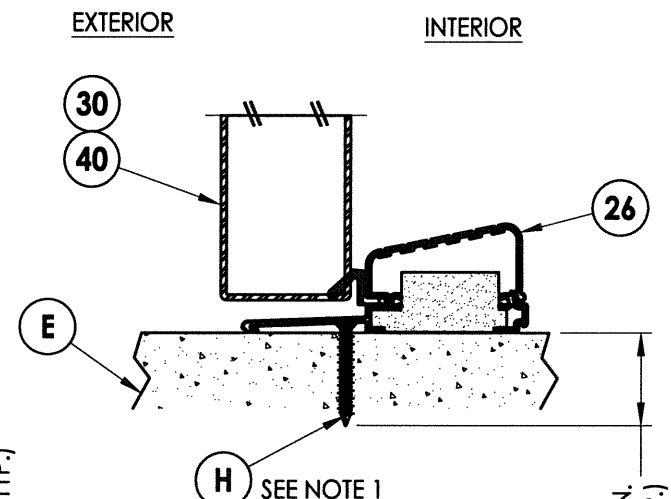
3
7 **VERTICAL CROSS SECTION**
Outswing Shown (Inswing Similar)



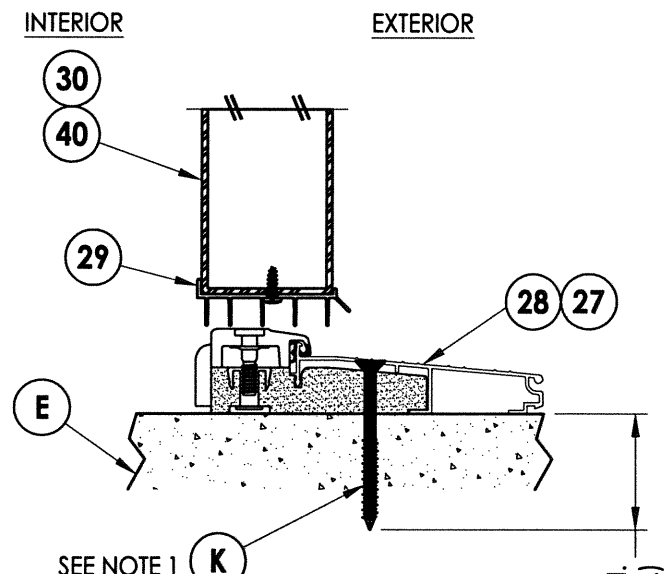
4
7 **VERTICAL CROSS SECTION**
Outswing Shown (Inswing Similar)



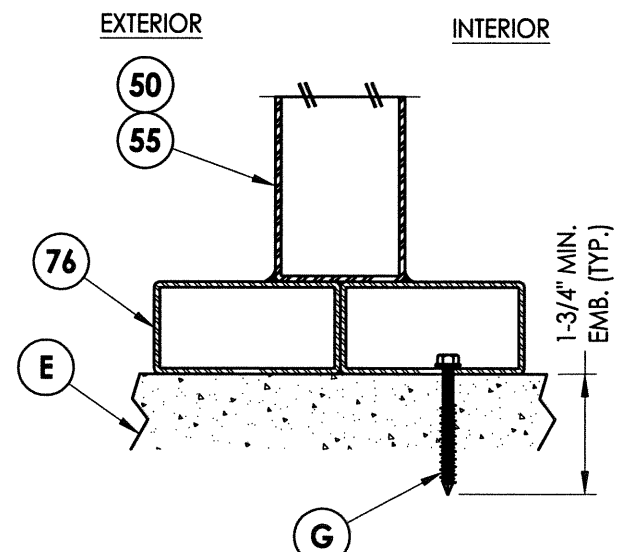
5
7 **VERTICAL CROSS SECTION**
Outswing Shown (Inswing Similar)



6
7 **VERTICAL CROSS SECTION**
Outswing Sill



7
7 **VERTICAL CROSS SECTION**
Inswing Sill



8
7 **VERTICAL CROSS SECTION**
Outswing Shown (Inswing Similar)

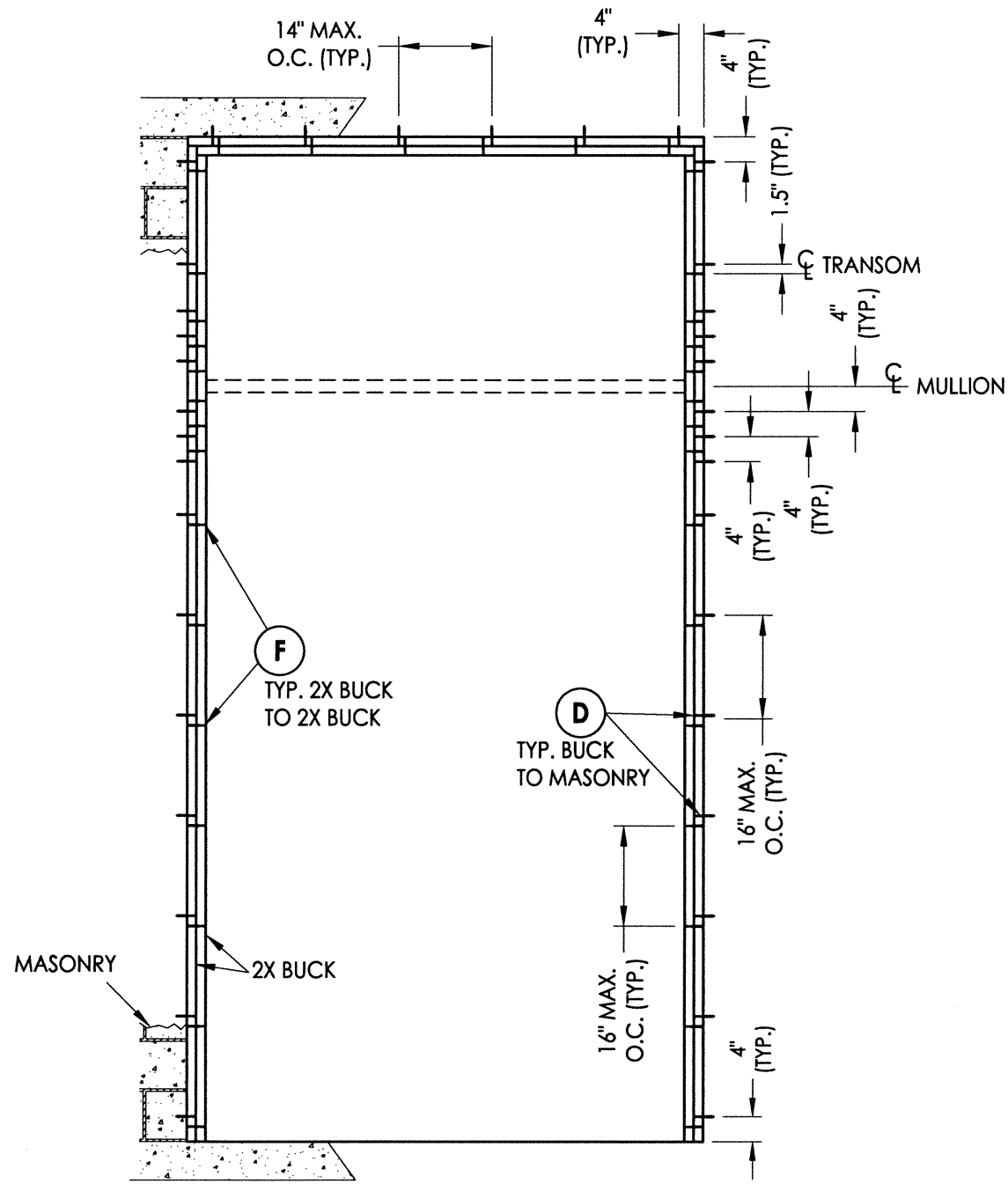
NOTE:
1. Sill anchor is not required for Single Door w/ Transom (O/X).

Documents Prepared By:
RW BUILDING CONSULTANTS, INC.
P.O. Box 230 Valrico FL, 33595
Phone No.: 813.659.9197
Florida Board of Professional Engineers
Certificate Of Authorization No. 9813
LFS 12-30-13
Lyndon F. Schmidt, P.E. No. 43409

PRODUCT:
CLARK HALL IRON DOORS
PART OR ASSEMBLY:
VERTICAL CROSS SECTIONS

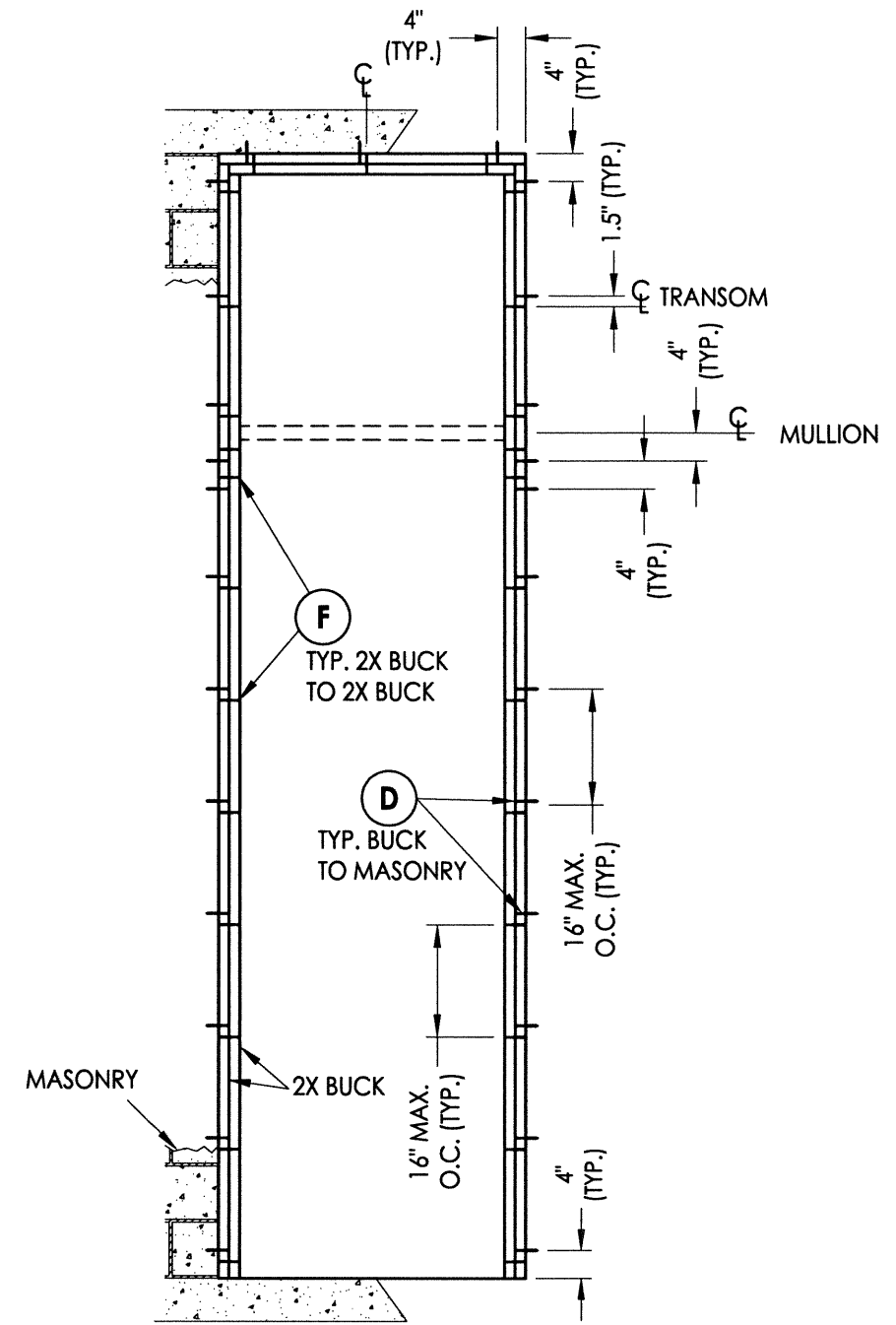
NO.	DATE	BY	REVISIONS

DATE: 11/8/13
SCALE: N.T.S.
DWG. BY: JK
CHK. BY: LFS
DRAWING NO.: FL-16663.3
SHEET 7 of 12



BUCK ANCHORING

$\frac{O}{OXO}$, $\frac{O}{OX}$, $\frac{O}{XO}$



BUCK ANCHORING

$\frac{O}{X}$

CONCRETE ANCHOR NOTES:

1. Concrete anchor locations at the corners may be adjusted to maintain the min. edge distance to mortar joints.
2. Concrete anchor locations noted as "MAX. ON CENTER" must be adjusted to maintain the min. edge distance to mortar joints, additional concrete anchors may be required to ensure the "MAX. ON CENTER" dimension are not exceeded.
3. Concrete anchor table:

ANCHOR TYPE	ANCHOR SIZE	MIN. EMBEDMENT	MIN. CLEARANCE TO MASONRY EDGE	MIN. CLEARANCE TO ADJACENT ANCHOR
ITW TAPCON®	1/4"	1-1/4"	2-1/2"	4"
ELCO ULTRACON®	1/4"	1-1/4"	2-1/2"	4"

NOTE FOR THROUGH THE FRAME ANCHORING ONLY ONE 2X BUCK IS REQUIRED, ANCHORED AS SHOWN.

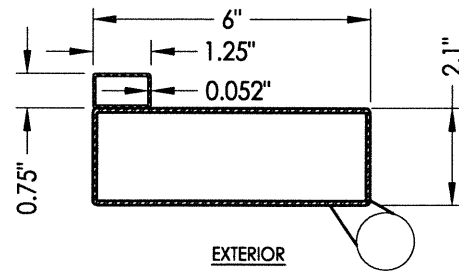
DATE:	11/8/13
SCALE:	N.T.S.
DWG. BY:	JK
CHK. BY:	LFS
DRAWING NO.:	FL-16663.3
SHEET	8 OF 12

PRODUCT: CLARK HALL IRON DOORS

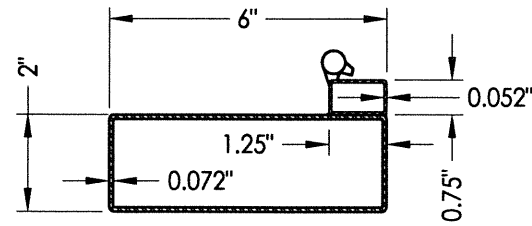
PART OR ASSEMBLY: BUCK ANCHORING

NO.	DATE	BY	REVISIONS

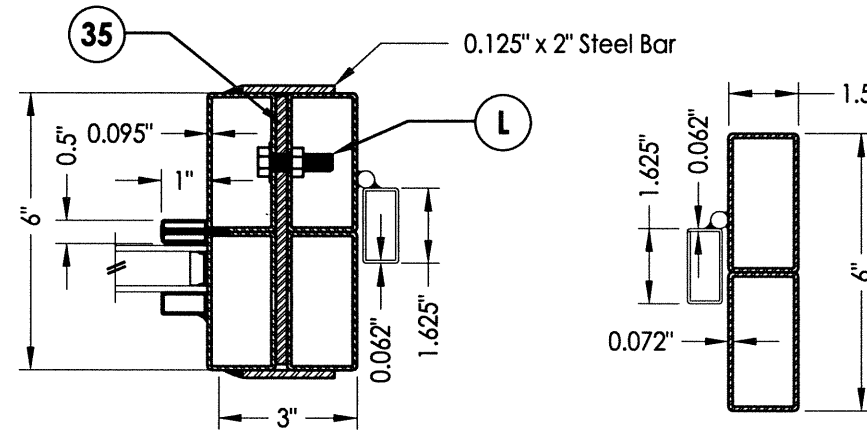
Documents Prepared By:
RW BUILDING CONSULTANTS, INC.
 P.O. Box 230 Valrico FL 33595
 Phone No.: 813.659.9197
 Florida Board of Professional Engineers
 Certificate Of Authorization No. 9813
 1733-12-3a.13
 Lyndon F. Schmidt, P.E. No. 43409



31 Full Lite Door Panel
Active Hinge Stile

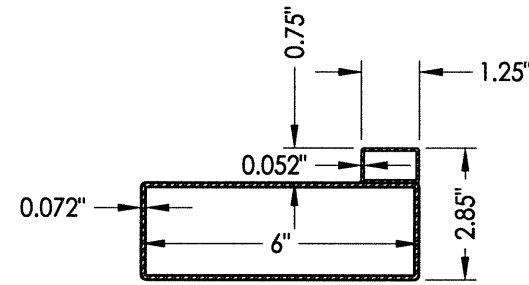


51 Sidelite Panel
Operable Sash Hinge Stile

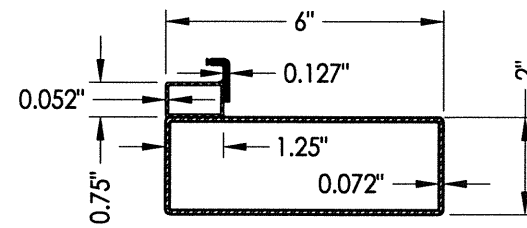


75 MULLION
Vertical with Direct Set Sidelite shown
(Horizontal Mullion Similar)

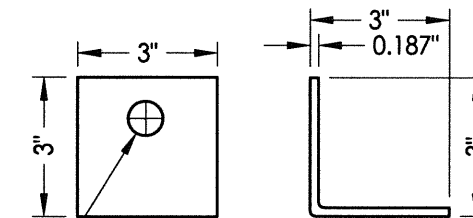
76 Jamb



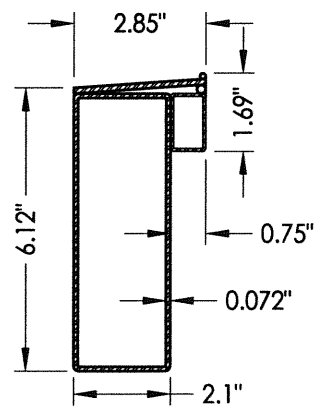
32 Full Lite Door Panel
Active Latch Stile



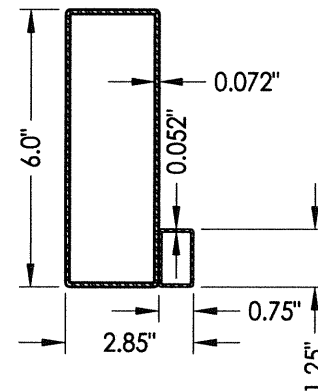
52 Sidelite Panel
Operable Sash Latch Stile



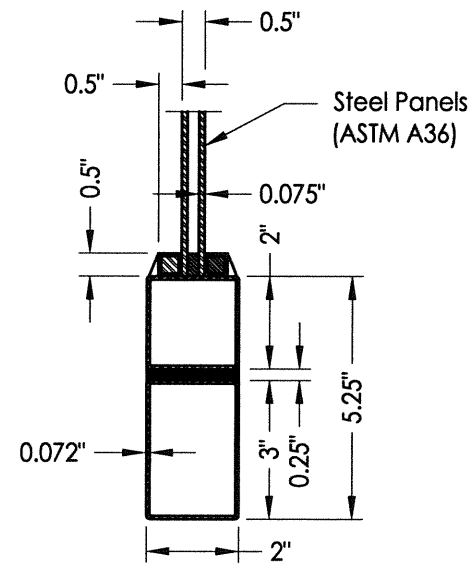
15 ANCHOR BRACKET



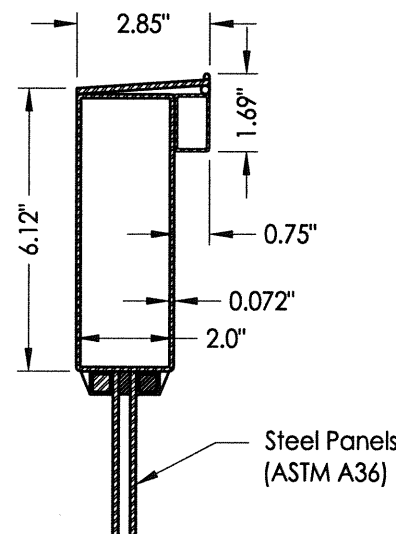
43 Full Lite Door Panel
Bottom Rail



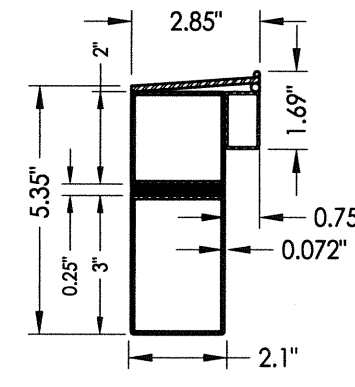
44 Full Lite Door Panel
Top Rail



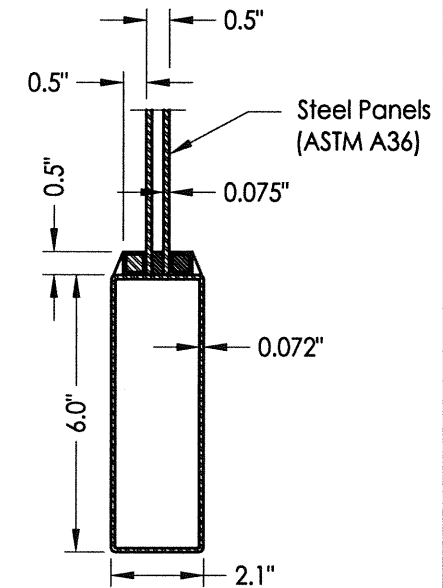
54 Bottom Rail
3/4 Lite Sidelite Panel



56 Mid Rail
3/4 Lite Sidelite Panel



53 Bottom Rail
Sidelite Panel



57 Bottom Rail
3/4 Lite Door Panel

Documents Prepared By:
R.W. BUILDING CONSULTANTS, INC.
 P.O. Box 230 Valrico FL, 33595
 Phone No.: 813.659.9197
 Florida Board of Professional Engineers
 Certificate Of Authorization No. 9813
 Lyndon F. Schmidt, P.E. No. 43409

PRODUCT: CLARK HALL IRON DOORS
 PART OR ASSEMBLY: COMPONENTS

NO.	DATE	REVISIONS	BY

DATE: 11/8/13
 SCALE: N.T.S.
 DWG. BY: JK
 CHK. BY: LFS
 DRAWING NO.: FL-16663.3
 SHEET 11 OF 12

